

ARMY PUBLIC SCHOOL KANPUR
HOLIDAY HOMEWORK 2022-23
Class V

ENGLISH

1. **Fun Dice- Make fun dice using an old box.** Paste pictures on all the six faces of the dice (each face should have only one kind of noun) showing PROPER NOUN / COMMON NOUN/ COLLECTIVE NOUN/ ABSTRACT NOUN/ MATERIAL NOUN/ COMPOUND NOUN. (Refer to your grammar book)
2. **Make a stick puppet of Tom or Ben** (referring to the lesson - 1)
 - Size of the puppet should be 10 *3.
 - Make it look attractive by decorating it.
3. Read a good English Novel / Storybook. Write a book review keeping in mind the following points-
 - (1) Name of the book
 - (2) Name of the author
 - (3) Name of the Main Characters
 - (4) Your favourite character in Story. Why?
 - (5) Why did you like/dislike the story? Give reasons.

Note: - This book review will be done on comment sheets.

DAILY HELP YOUR MOTHER IN HER HOUSEHOLD CHORES.

ग्रीष्मावकाश हिंदी गृह कार्य

नोट -समस्त कार्य एक अलग 20 प्रष्ठ की पुस्तिका में करें।

1. घर के सभी सदस्यों को प्रतिदिन हिंदी समाचार पत्र पढ़ कर सुनाएँ।
2. पंचतंत्र की कहानियाँ (लेखक विष्णु शर्मा) पढ़ें और किन्हीं 2 कहानियों को अपने शब्दों में लिखें।
3. किन्हीं पांच महापुरुषों के चित्र लगाएँ और उनके आदर्श वाक्य लिखें।
4. दादा-दादी, नाना-नानी से कहानियाँ सुनें और अपने छोटे भाई-बहनों को सुनाएँ।
5. व्याकरण पुस्तक से विलोम, पर्यायवाची, मुहावरे, समानार्थक शब्द पढ़ें और याद करें।
6. किसी एक कविता का गायन करते हुए एक वीडियो बनाएं।
7. घर के किसी बड़े सदस्य की सहायता लेकर दो सप्ताह तक प्रतिदिन दस शब्द श्रुतलेख लिखें।

EVS

- 1- Learn all the work done in class work copy.
- 2- **‘Plants are best friends’**
Plant a sapling in your garden or pot and take good care of it daily. Must click one photo with your plant & paste it on a drawing sheet.
- 3- Collect and paste 10 different types of leaves on a drawing sheet and write the names of the plants.
- 4- **‘Home is where the heart is’**
Write 5 things you learned from your family during summer break and write them on a comment sheet.
- 5- **‘Family fun time’**
Game- Snake & ladder/ Carrom.
Play with your family & friends. Click pictures & paste them on a drawing sheet.
- 6- Keep water & food on your roof for birds.
- 7- Draw a creative poster on an art sheet. Topic: **Clean India, Green India**

MATHS

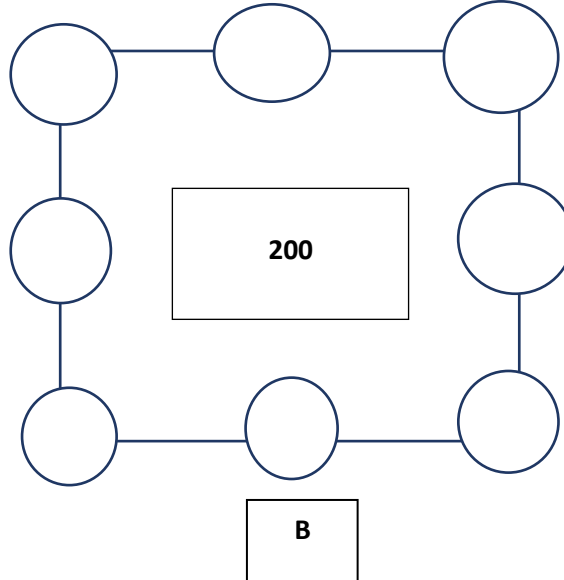
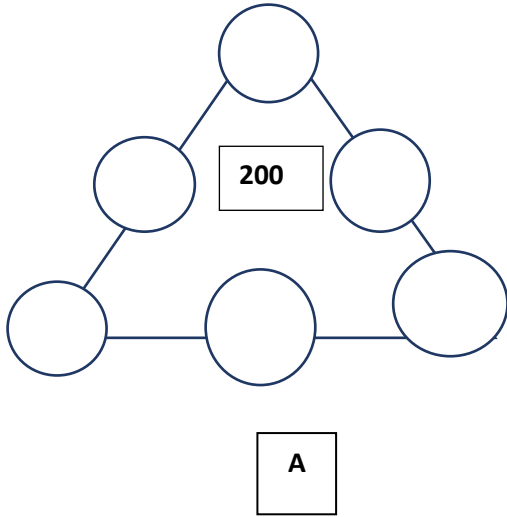
NOTE: Do the given maths homework on comment sheets

1. The three numbers along each line add up to 200. Write in the missing numbers,

Choose from:

A) 40, 50, 60, 70, 80, 90

B) 30, 40, 50, 60, 70, 80, 90, 100



2. What is the number mystery?

There is a number

- That is greater than one million but less than ten million.
- That is an even number.
- None of the digits is less than 3.
- No digit is used more than once.
- The sum of the digits in the one period is 12.
- The digits in the ten thousand Places are equal to the sum of the digits in the tens and hundreds of places.
- The digits in the millions place are 2 more than the digit in the thousands place.
- The digits in the hundred thousand Place are twice the digit in the tens place.

3. Solve the crossword using Roman numerals and the clues are given.

Across:

1. XXXVII - VII =
3. LIII - IX =
5. DC - DXLII =
6. CXI - IX =

Down:

1. XXXIII - IX =
2. XLII - VIII =
4. XXXVI - XXVIII =
5. LXVI - XIV =

